

04h
05h
06h
07h
08h
09h
10h
11h
12h
13h
14h
15h
16h
17h
18h
20h
21h
22h
23h
24h



Di Natale - Bertelli S.p.A.

TELESCOPIC CYLINDERS

SERIES K "KOMPAKT"

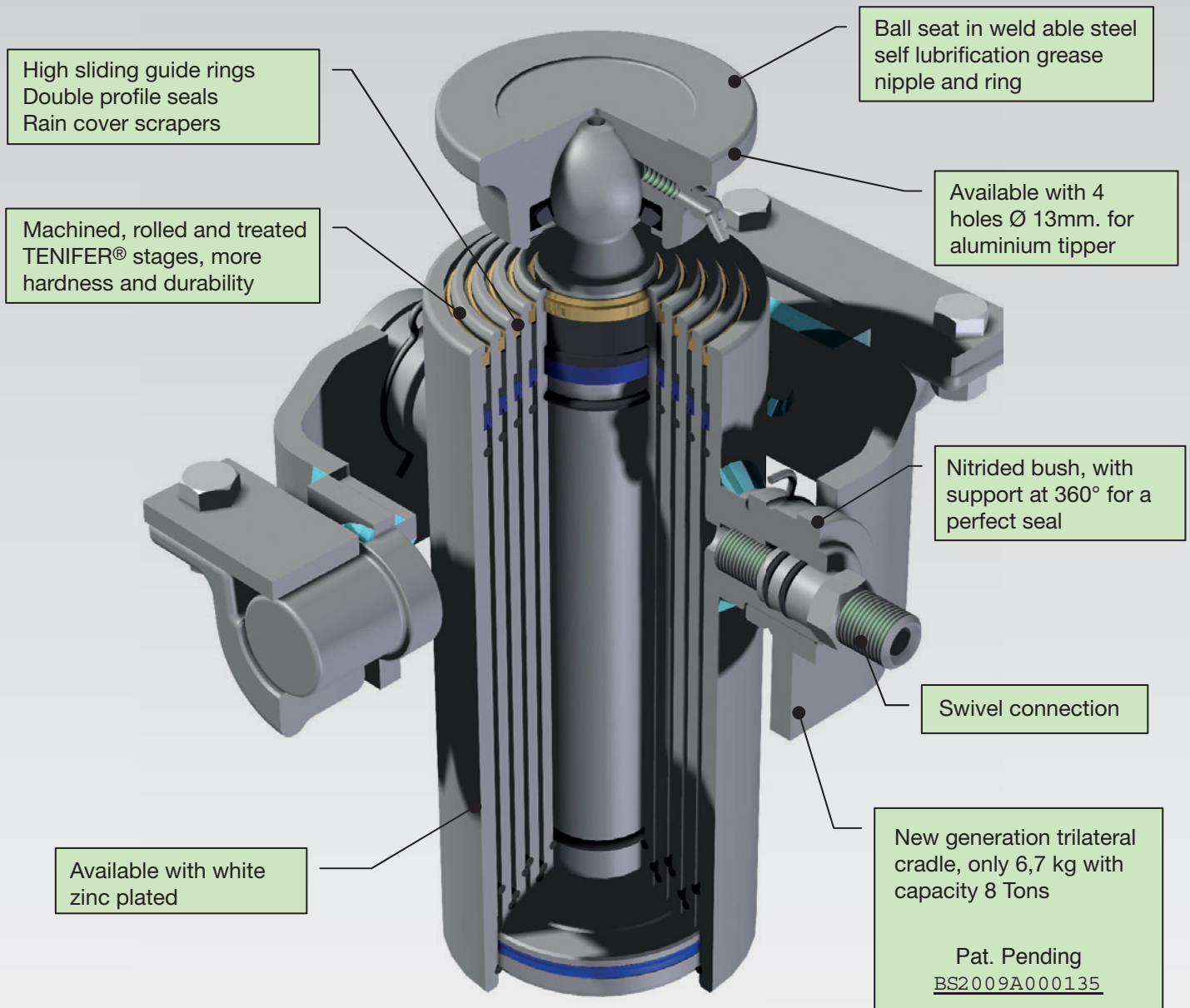


COMPANY
WITH QUALITY SYSTEM
CERTIFIED BY DNV
= ISO 9001/2000 =

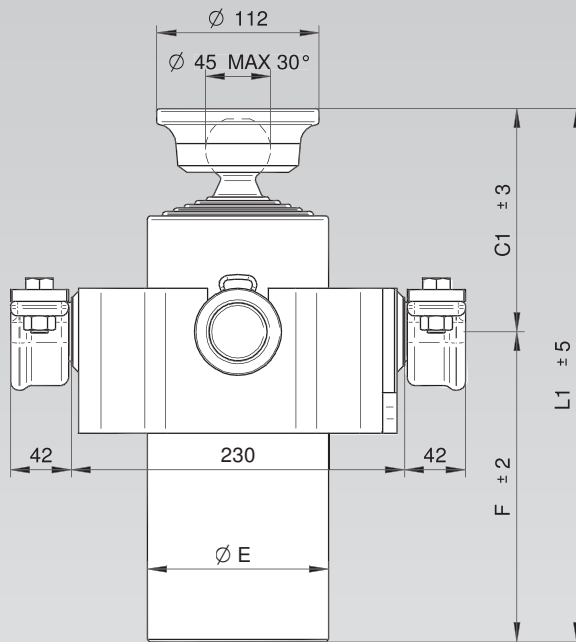
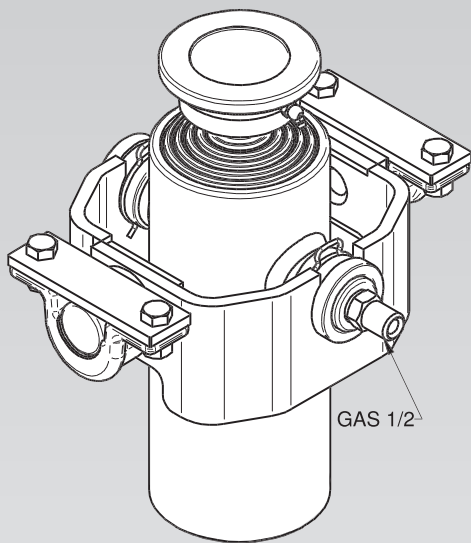
IDL

INDUSTRIAL TELESCOPIC CYLINDERS

SERIES K "KOMPAKT"



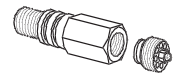
- High strength steel, stages with machined surfaces, rolled and treated TENIFER®
- Supplied in kit with assembled cradle and its open supports and bolts
- The cylinder is sold with the cradle already mounted to save time in the assembly of the tipping body
- Maximum operating pressure 200 Bars
- Models always on stock, delivery in 24/48 hours
- Optional free-chrome VI electroplating white zinc European ROHS standard
- Identification plate in stamped steel welded on the cylinder itself
- Each cylinder is subjected to hydraulic test
- The cylinder can't work at the end of stroke, and it is necessary to equip the system with an end stroke valve
- Di Natale - Bertelli S.p.A. prohibits the service of their products before the machine (or equipment) in which they are incorporated has been declared in conformity with the provisions of the Machinery Directive 98/37/EC and marked accordingly **CE**



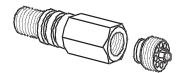
KIT = CYLINDER + CRADLE + OPEN SUPPORT (oil inlet not included)

WORKING MAX. PRESSURE 200 BAR

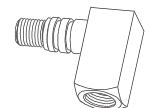
OPTIONAL



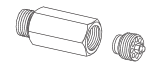
NIP71720000 3/8 Gas with stop valve



NIP71730000 1/2 Gas with stop valve



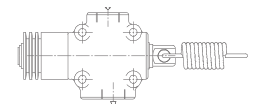
NIP26310000 1/2 Gas 90°



NIP27220000 1/2 Gas with stop valve only with NIP26310000



CH045-2414



VFC-TS-1/2

CODICE CODE CODE KODE	Disegno Drawing Dessin Zeichnung	CORSA - STROKE COURSE - HUB	PORTATA CAPACITY CAPACITE BELASTBARKEIT a 180 Bar Ton.	Ø SFILATE mm. Ø EXTENSIONS mm. Ø EXPANSIONS mm. Ø STUFEN mm.						DIMENSIONI CILINDRO CYLINDER DIMENSIONS DIMENSIONS VÉRINS ZYLINDER ABMESSUNGEN				L.sfilata - L. extension L.expansion - L. stufen Kg	Peso - Kg - Weight Poids - Kg - Gewicht	Volume olio Lt. Amount of oil Lt. Volume huile Lt. Ölinhalt Lt.	
				32 TON. 1,4	45 TON. 2,9	60 TON. 5,0	75 TON. 7,9	90 TON. 11,4	105 TON. 15,6	C1	F	L1	ØE				
KIT32401S	81110	1010	4,5		●	●	●				149	349	498	95	405	22	3,5
KIT43271S	81203	814	6		●	●	●	●			152	214	366	110	270	19	3,6
KIT43361S	81208	1174	6		●	●	●	●			152	304	456	110	360	26	5,2
KIT43401S	81210	1354	6		●	●	●	●			152	349	501	110	405	28	5,9
KIT54271S	81323	1012	7,1		●	●	●	●	●		154	214	368	125	270	25	5,6
KIT54301S	81324	1162	7,1		●	●	●	●	●		154	244	398	125	300	27	6,4
KIT54321S	81326	1287	7,1		●	●	●	●	●		154	269	423	125	325	29	7
KIT54361S	81328	1462	7,1		●	●	●	●	●		154	304	458	125	360	31	7,9
KIT64271S	81343	1221	6	●	●	●	●	●	●		157	214	371	125	270	25	5,8

04h
05h
06h
07h
08h
09h
10h
11h
12h
13h
14h
15h
16h
17h
18h
19h
20h
21h
22h
23h
24h

Di Natale - Bertelli S.p.A.

TELESCOPIC CYLINDERS



**OFFICES
PRODUCTION**



WAREHOUSE



PRODUCTION

GMT



TELESCOPIC CYLINDERS

DI NATALE - BERTELLI S.p.A. - ITALY
25077 ROE' VOLCIANO (BS) - VIA S. PIETRO, 76
TEL. +39 0365.63085 - 63293 - FAX +39 0365.63461
www.dinatale-bertelli.com

DEALER