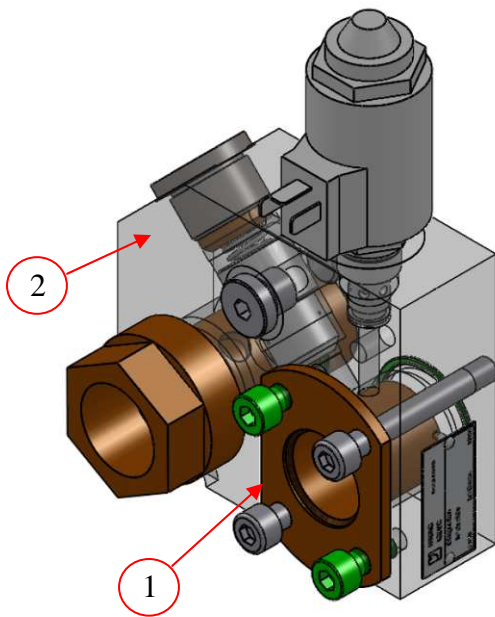
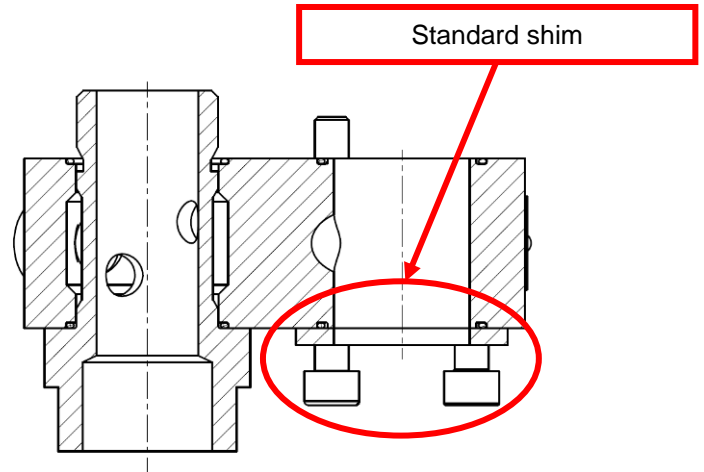
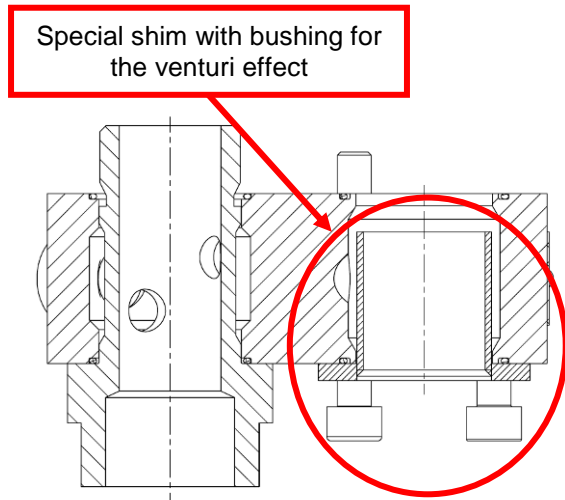
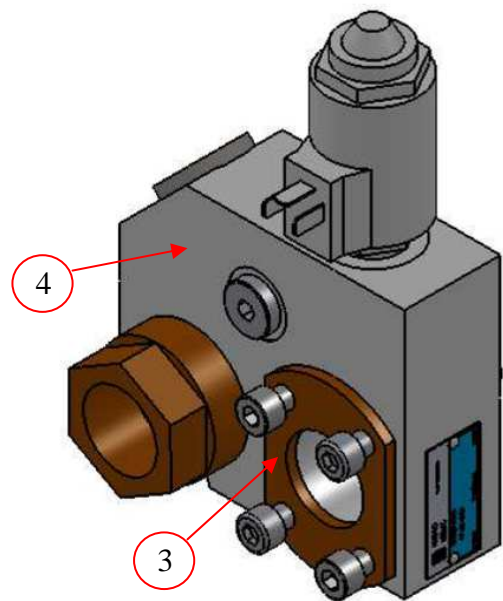


## MODIFICATION BETWEEN THE NEW BP80-0522140 AND THE OLD BP80-0517811



NEW BY-PASS BP80-0522140



OLD BY-PASS BP80-0517811

- On the BP80, the body (2 ;4) and the shim (1;3) are not the same between both versions. The other components stay the same.
- The BP63 doesn't progress and have to be mounted with the shim (3).

**BE CAREFUL:** If you mount a BP80-0517811 or BP63-0517931 with the shim (1), the valve will not run properly, because the bodies are not suitable for.