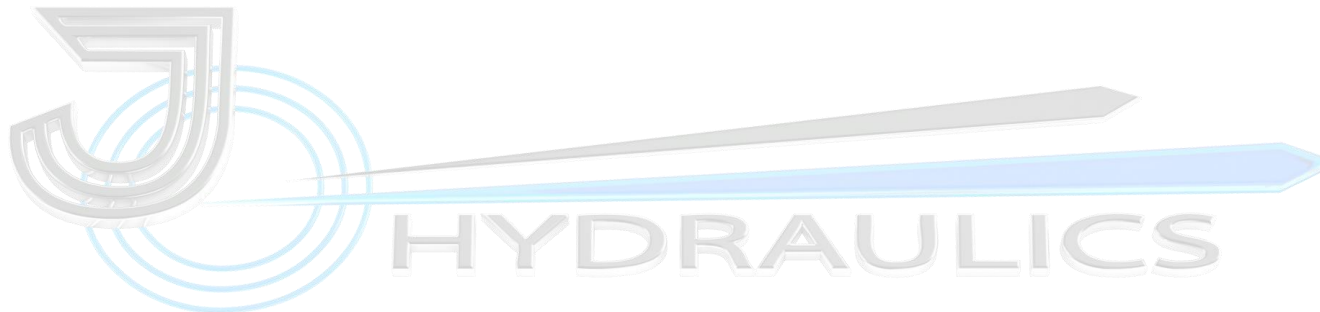
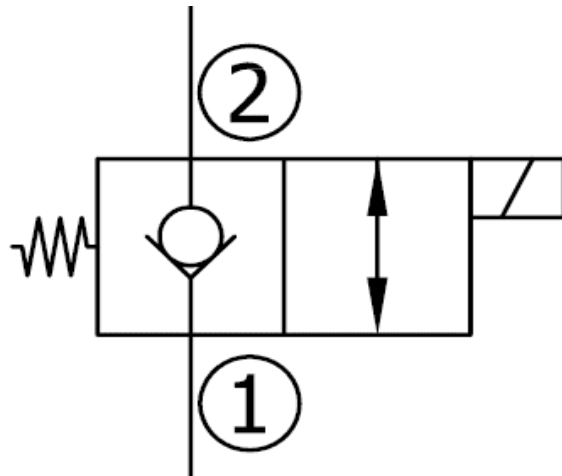


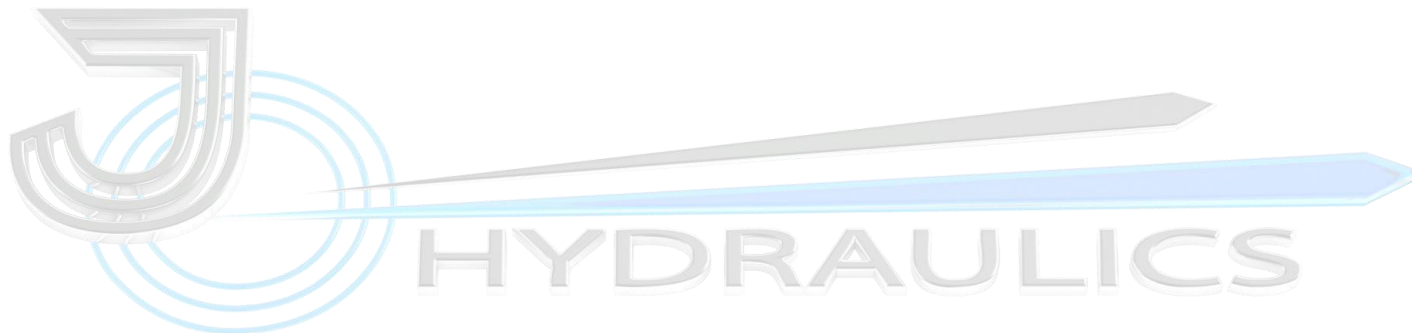
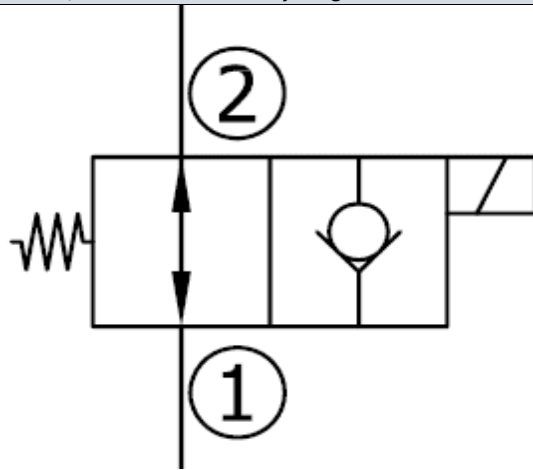
2 WAY NORMALLY CLOSED

Vare nr.	Beskrivelse	Cavitet	Solenoid
SCE08-S-N2-00	NC 40L/min 450 Bar m.nødbetjening	C001-G - SAE 8/2 - 3/4-16 UNF	CE 06 62
SCE08-O-N2-00	NC 40L/min 450 Bar u.nødbetjening	C001-G - SAE 8/2 - 3/4-16 UNF	CE 06 62
SCE11-S-N2-00	NC 60L/min 350 Bar m.nødbetjening	C011-G - SAE 10/2 - 7/8-14 UNF	CE 06 62
SCE11-O-N2-00	NC 60L/min 350 Bar u.nødbetjening	C011-G - SAE 10/2 - 7/8-14 UNF	CE 06 62
SCE12-S-N2-00	NC 150L/min 350 Bar m.nødbetjening	C031-G - SAE 12/2 - 1" 1/16- 12 UNF	CE 06 62
SCE12-O-N2-00	NC 150L/min 350 Bar u.nødbetjening	C031-G - SAE 12/2 - 1" 1/16- 12 UNF	CE 06 62



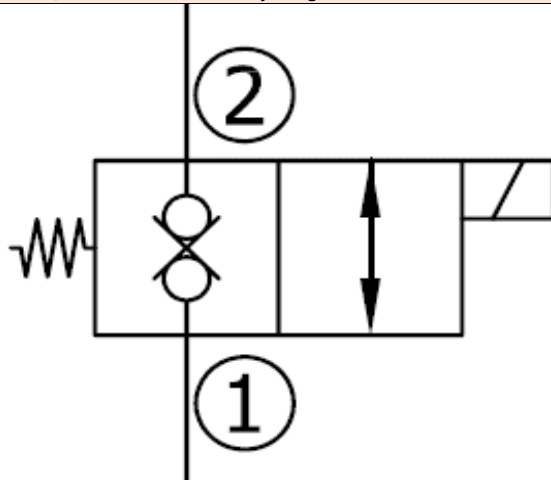
2 WAY NORMALLY OPEN

Vare nr.	Beskrivelse	Cavitet	Solenoid
SAE08-S-N2-00	NO 40L/min 450 Bar m.nødbetjening	C001-G - SAE 8/2 - 3/4-16 UNF	CE 06 62
SAE08-O-N2-00	NO 40L/min 450 Bar u.nødbetjening	C001-G - SAE 8/2 - 3/4-16 UNF	CE 06 62
SAE11-S-N2-00	NO 60L/min 350 Bar m.nødbetjening	C011-G - SAE 10/2 - 7/8-14 UNF	CE 06 62
SAE11-O-N2-00	NO 60L/min 350 Bar u.nødbetjening	C011-G - SAE 10/2 - 7/8-14 UNF	CE 06 62
SAE12-S-N2-00	NO 150L/min 350 Bar m.nødbetjening	C031-G - SAE 12/2 - 1" 1/16- 12 UNF	CE 06 62
SAE12-O-N2-00	NO 150L/min 350 Bar u.nødbetjening	C031-G - SAE 12/2 - 1" 1/16- 12 UNF	CE 06 62



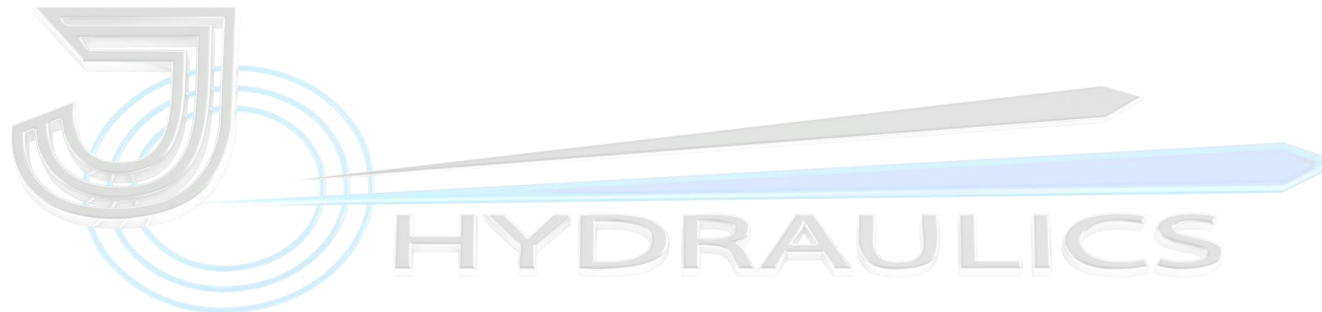
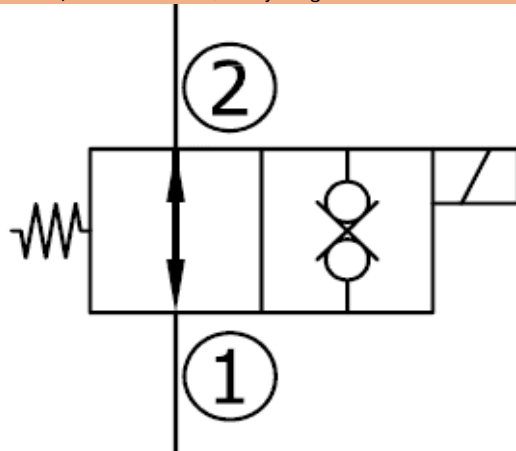
2 WAY DOUBLE LOCK NORMALLY CLOSED

Vare nr.	Beskrivelse	Cavitet	Solenoid
SB0080000-S-N20-00	NC 40L/min 450 Bar m.nødbetjening Double lock	C001-G - SAE 8/2 - 3/4-16 UNF	CE 06 62
SB0080000-O-N20-00	NC 40L/min 450 Bar u.nødbetjening Double lock	C001-G - SAE 8/2 - 3/4-16 UNF	CE 06 62
SB0110000-S-N20-00	NC 60L/min 350 Bar m.nødbetjening Double lock	C011-G - SAE 10/2 - 7/8-14 UNF	CE 06 62
SB0110000-O-N20-00	NC 60L/min 350 Bar u.nødbetjening Double lock	C011-G - SAE 10/2 - 7/8-14 UNF	CE 06 62
SB0120000-S-N20-00	NC 150L/min 350 Bar m.nødbetjening Double lock	C031-G - SAE 12/2 - 1" 1/16- 12 UNF	CE 06 62
SB0120000-O-N20-00	NC 150L/min 350 Bar u.nødbetjening Double lock	C031-G - SAE 12/2 - 1" 1/16- 12 UNF	CE 06 62



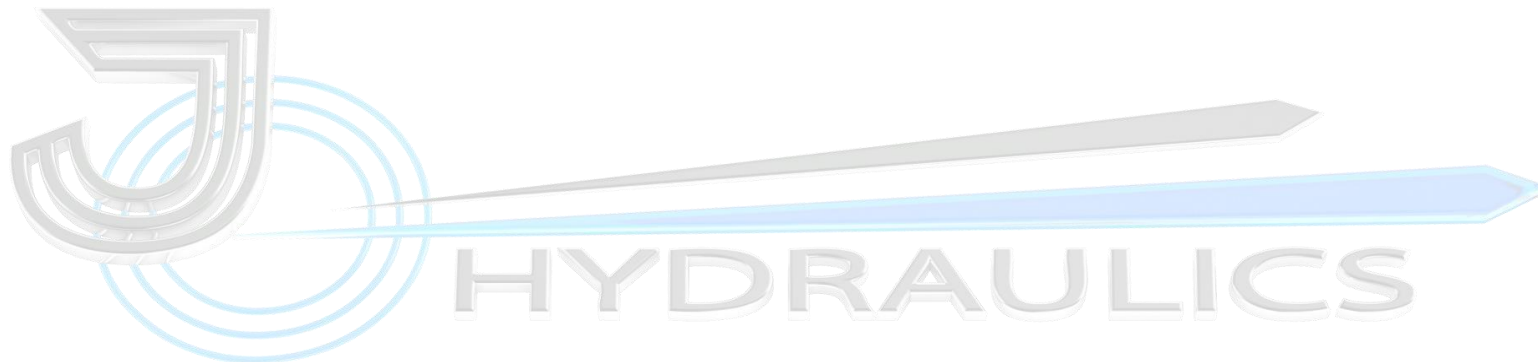
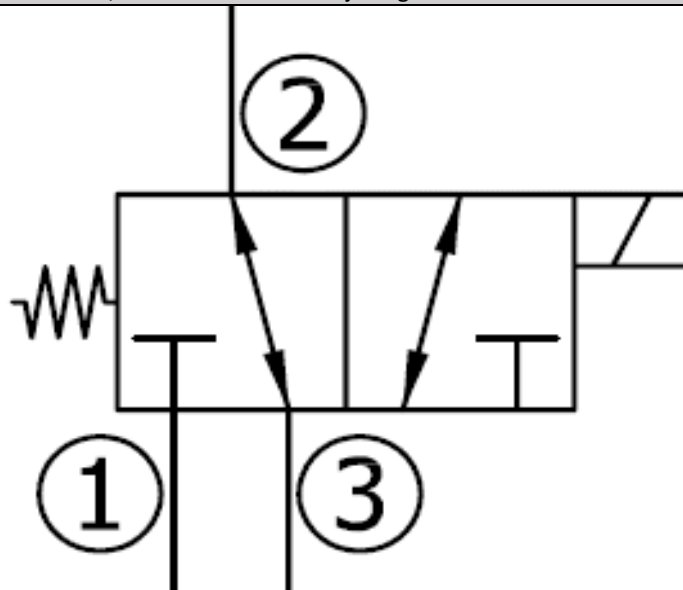
2 WAY DOUBLE LOCK NORMALLY OPEN

Vare nr.	Beskrivelse	Cavitet	Solenoid
SB1080000-S-N20-00	NO 40L/min 450 Bar m.nødbetjening Double lock	C001-G - SAE 8/2 - 3/4-16 UNF	CE 06 62
SB1080000-O-N20-00	NO 40L/min 450 Bar u.nødbetjening Double lock	C001-G - SAE 8/2 - 3/4-16 UNF	CE 06 62
SB1110000-S-N20-00	NO 60L/min 350 Bar m.nødbetjening Double lock	C011-G - SAE 10/2 - 7/8-14 UNF	CE 06 62
SB1110000-O-N20-00	NO 60L/min 350 Bar u.nødbetjening Double lock	C011-G - SAE 10/2 - 7/8-14 UNF	CE 06 62
SB1120000-S-N20-00	NO 150L/min 350 Bar m.nødbetjening Double lock	C031-G - SAE 12/2 - 1" 1/16- 12 UNF	CE 06 62
SB1120000-O-N20-00	NO 150L/min 350 Bar u.nødbetjening Double lock	C031-G - SAE 12/2 - 1" 1/16- 12 UNF	CE 06 62



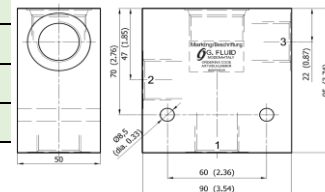
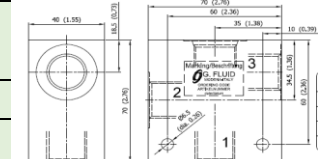
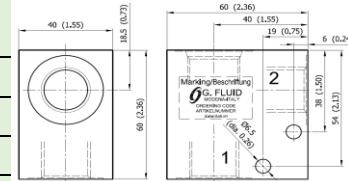
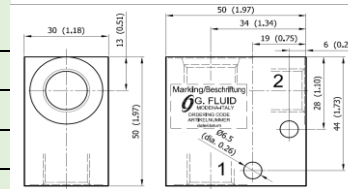
3 Ways 2 Positions 3/2

Vare nr.	Beskrivelse	Cavitet	Solenoid
ST0100000-S-N00-00	3/2 WAY 24L/min 250 Bar m.nødbetjening	C007-G -SAE 10/3 - 7/8-14 UNF	CE 06 41 - CE 06 42
ST0100000-O-N00-00	3/2 WAY 24L/min 250 Bar u.nødbetjening	C007-G -SAE 10/3 - 7/8-14 UNF	CE 06 41 - CE 06 42
ST0330000-O-N00-00	3/2 WAY 50L/min 250 Bar u.nødbetjening	C068-G - M33X2	CE 06 51



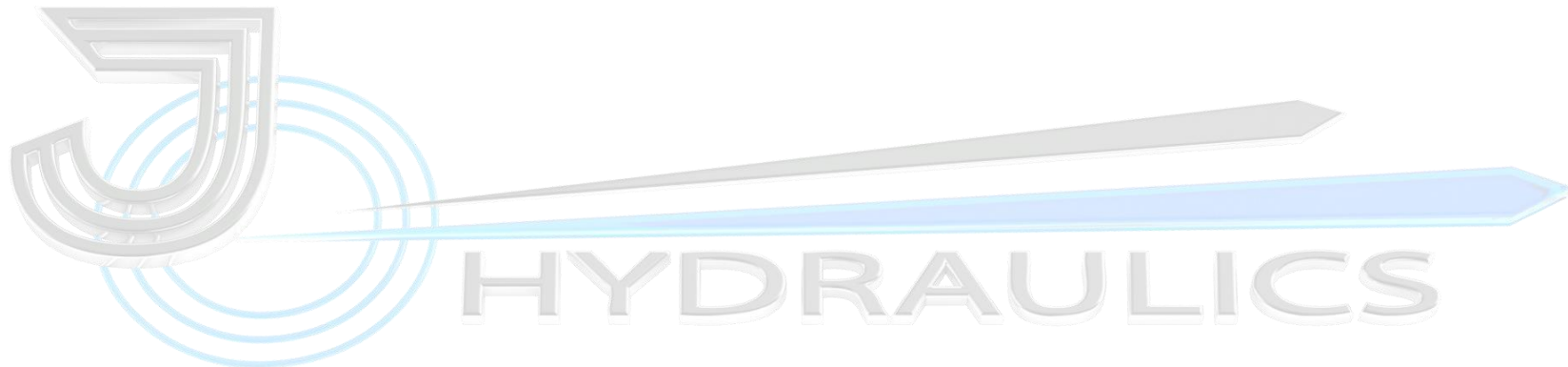
Housing

Vare nr.	Beskrivelse	Cavitet	Vægt
P4101031	MAA-001-14 - 1/4" Alu 50x50x30	C001-G - SAE 8/2 - 3/4-16 UNF	0,15kg
P4101033	MAA-001-38 - 3/8" Alu 50x50x30	C001-G - SAE 8/2 - 3/4-16 UNF	0,15kg
P4101032	MAS-001-14 - 1/4" Stål 50x50x30	C001-G - SAE 8/2 - 3/4-16 UNF	0,45kg
P4101034	MAS-001-38 - 3/8" Stål 50x50x30	C001-G - SAE 8/2 - 3/4-16 UNF	0,45kg
P4101156	MAA-011-12 - 1/2" Alu 60x60x40	C011-G - SAE 10/2 - 7/8-14 UNF	0,2kg
P4101176	MAA-011-34 - 3/4" Alu 60x60x40	C011-G - SAE 10/2 - 7/8-14 UNF	0,2kg
P4101157	MAS-011-12 - 1/2" Stål 60x60x40	C011-G - SAE 10/2 - 7/8-14 UNF	0,9kg
P4101177	MAS-011-34 - 3/4" Stål 60x60x40	C011-G - SAE 10/2 - 7/8-14 UNF	0,9kg
P4101535	MAA-031-34 - 3/4" Alu 80x80x50	C031-G - SAE 12/2 - 1" 1/16- 12 UNF	0,62kg
P4101537	MAA-031-100 - 1" Alu 80x80x50	C031-G - SAE 12/2 - 1" 1/16- 12 UNF	0,62kg
P4101536	MAS-031-34 - 3/4" Stål 80x80x50	C031-G - SAE 12/2 - 1" 1/16- 12 UNF	1,3kg
P4101538	MAS-031-100 - 1" Stål 80x80x50	C031-G - SAE 12/2 - 1" 1/16- 12 UNF	1,3kg
P4101158	MAA-007-38 - 3/8" Alu 70x70x40	C007-G - SAE 10/3 - 7/8-14 UNF	0,25kg
P4101160	MAA-007-12 - 3/8" Alu 70x70x40	C007-G - SAE 10/3 - 7/8-14 UNF	0,25kg
P4101467	MAA-068-12 - 1/2" Alu 90x95x50	C068-G - M33X2	2kg
P4101469	MAA-068-34 - 3/4" Alu 90x95x50	C068-G - M33X2	2kg
P4101468	MAS-068-12 - 1/2" Stål 90x95x50	C068-G - M33X2	3,4kg
P4101470	MAS-068-34 - 3/4" Stål 90x95x50	C068-G - M33X2	3,2kg



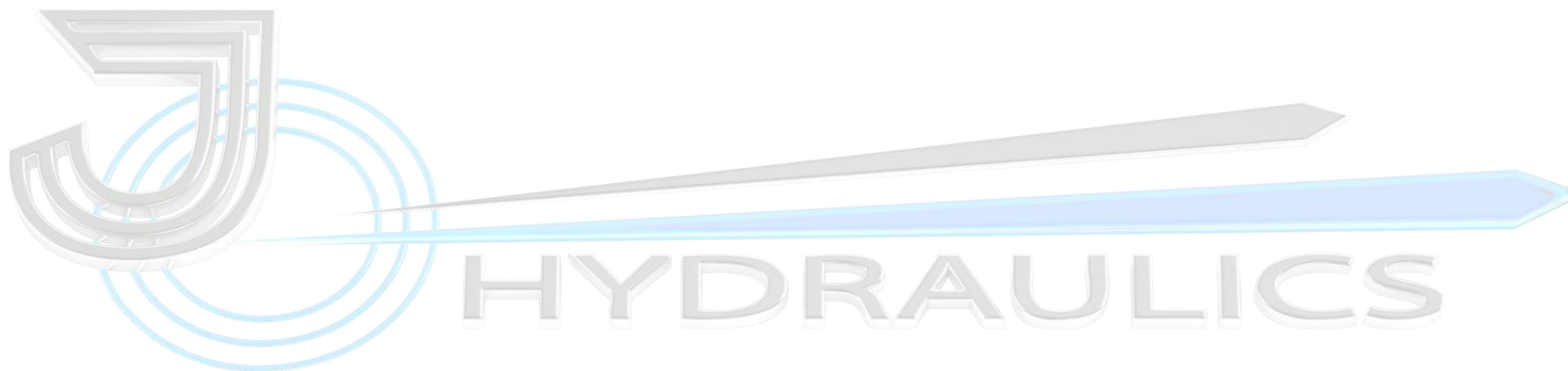
Coils

Vare nr.	Beskrivelse	Volt	Mål
CE0662-01-D0-00	CE 06 62 Spole 20W DC	12V	Hul Ø12,7 - L 38,5 - H 44,5
CE0662-02-D0-00	CE 06 62 Spole 20W DC	24V	Hul Ø12,7 - L 38,5 - H 44,5
CE0662-14-D0-00	CE 06 62 Spole 20W DC	220V	Hul Ø12,7 - L 38,5 - H 44,5
CE0641-01-D0-00	CE 06 41 Spole 26W DC	12V	Hul Ø16 - L 50 - H 43,5
CE0641-02-D0-00	CE 06 41 Spole 26W DC	24V	Hul Ø16 - L 50 - H 43,5
CE0642-01-D0-00	CE 06 42 Spole 30W DC	12V	Hul Ø16 - L 50 - H 48
CE0642-02-D0-00	CE 06 42 Spole 30W DC	24V	Hul Ø16 - L 50 - H 48
CE0651-01-D0-00	CE 06 51 Spole 33W DC	12V	Hul Ø19 - L 56 - H 49
CE0651-02-D0-00	CE 06 51 Spole 33W DC	24V	Hul Ø19 - L 56 - H 49



Modular Valves

Vare nr.	Beskrivelse	Solenoid
41270-05-01000	Cetop 3 Flyd ventil 40L/min 350 Bar	CE 06 62
41270-05-07-O-00	Cetop 5 Flyd ventil 150L/min 350 Bar	CE 06 62
41270-04-01-O-00	Cetop 3 Bypass ventil u Nødbetjening 40L/min 350 Bar	CE 06 62
41270-04-01-S-00	Cetop 3 Bypass ventil m Nødbetjening 40L/min 350 Bar	CE 06 62
41270-04-07-O-00	Cetop 5 Bypass ventil u Nødbetjening 150L/min 350 Bar	CE 06 62
41270-04-07-S-00	Cetop 5 Bypass ventil m Nødbetjening 150L/min 350 Bar	CE 06 62



Flow Dividers 350 Bar

Vare nr.	Beskrivelse	Vægt	Mål
154221030211	Flow Divider Combiner 3/8" 2-4L/min	1,2	114x55x30
154221030221	Flow Divider Combiner 3/8" 4-8L/min	1,2	114x55x30
154221030231	Flow Divider Combiner 3/8" 8-16L/min	1,2	114x55x30
154221030241	Flow Divider Combiner 3/8" 16-32L/min	1,2	114x55x30
154221030251	Flow Divider Combiner 3/8" 25-50L/min	1,2	114x55x30
154221030331	Flow Divider Combiner 1/2" 8-16L/min	1,2	114x55x30
154221030341	Flow Divider Combiner 1/2" 16-32L/min	1,2	114x55x30
154221030351	Flow Divider Combiner 1/2" 25-50L/min	1,2	114x55x30



Flow Dividers 350 Bar

Vare nr.	Beskrivelse	Vægt
153221020000	Trykkompenseret kontra drøvleventil 3/8" 18L/min 250 Bar	0,34
153221030000	Trykkompenseret kontra drøvleventil 1/2" 33L/min 250 Bar	0,7

