

EPH PLANETARY WINCHES

Model EPH are hydraulic planetary winches.

Designed for extend life and give best safe duty.

This winch is built according with higher safety standards in compliance with Directive Machinery 2006/24/CE Harmonized EN 14492-1. The high efficiency planetary gear train assure fast payout and rewind winching operational and the innovative brake system, make these winches reliable and great for industrial applications.

FEATURES

COMPACT

Hardened steel two stage planetary gear train class M4 L1 T5 (FEM 1.001/1987) EPH 10000 class M3 L1 T4 (FEM 1.001/1987) EPH 12200

FAST WINCHING SPEED

Fast payout and rewind

VERSATILE MOUNTING

Designed for either base or side mounting

STRONG

Strong Body for extended heavy-duty cycle

MULTI-DISC PRESSURE RELEASED BRAKE

Gives a reliable and effective full brake capacity

WINCHES RANGE

MODEL	RATED LINE PULL
EPH 10000	10.000 Kgs. (22.046 Lbs.)
EPH 12200	12.200 Kgs. (26.896 Lbs.)

DRUM SIZE AVAILABLE

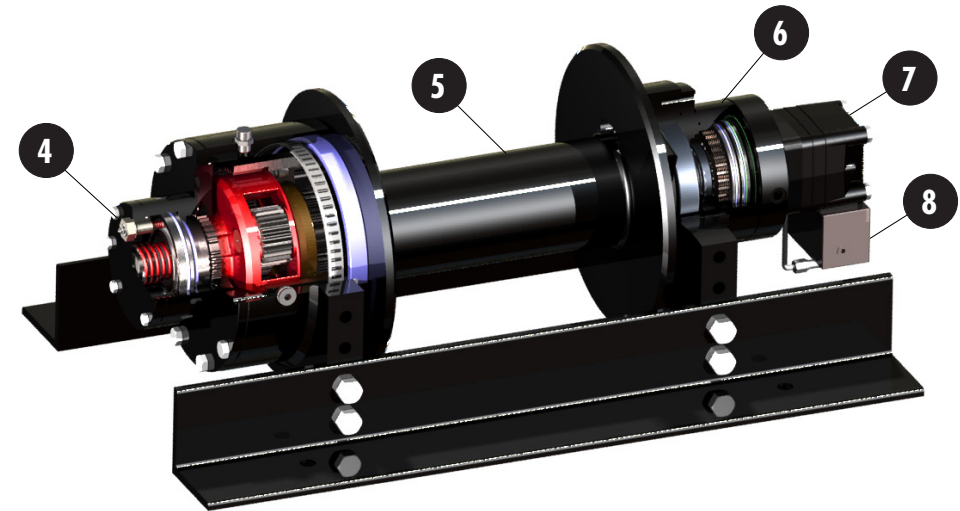
Standard: 335 mm (13.2 inch)

TOTALLY OIL COOLED

Gears and brake in oil bath for best performance, quiet operation and extended component life

ACCESSORIES :

- Zinc plated heavy-duty roller fairlead
- Zinc plated Cable tensioner
- Manual clutch shifter - drum free spooling



COMPONENTS

1. HEAVY-DUTY ROLLER FAIRLEAD

Heavy duty mounting frame with zinc plated finish.

Large diameter rollers, fitted with bearings, for reduced maintenance and increased rope life.

2. CABLE TENSIONER

Strong frame with heavy duty springs, zinc plated finish with roller working on bearings, prevents wire rope tangling when free spooling.

3. BASE MOUNTING ANGLES

Standard base mounting angles

4. AIR CLUTCH

Compact air - cylinder based on Vime's own design.

Out put shaft is visible when the drum is in the disengaged position.

5. DRUM

Wedge pocket system in according with CE Machinery Directive to prevent rope release.

6. FULL LOAD HOLDING BRAKE

Multi-disc pressure released brake, designed using special heavy duty components to assure full brake performance and reliability, controlled by a noiseless, overcenter valve.

7. HYDRAULIC MOTOR

Orbital hydraulic motor, splined output shaft.

8. OVERCENTER VALVE

Special noiseless overcenter valve based on Vime's design.

2 HYDRAULIC PLANETARY GEAR WINCHES



EPH
10000

MANUAL CLUTCH VERSION

On request at the order, EPH winches can be equipped with manual clutch shifter.

Clutch allows the operator to manually disengage the spooling drum from the gear train, enabling the drum to rotate freely (freespooling). Engaging the clutch, it locks the winch drum back onto the gear train.



CE
EN 14492-1

EPH
10000

AIR CLUTCH VERSION

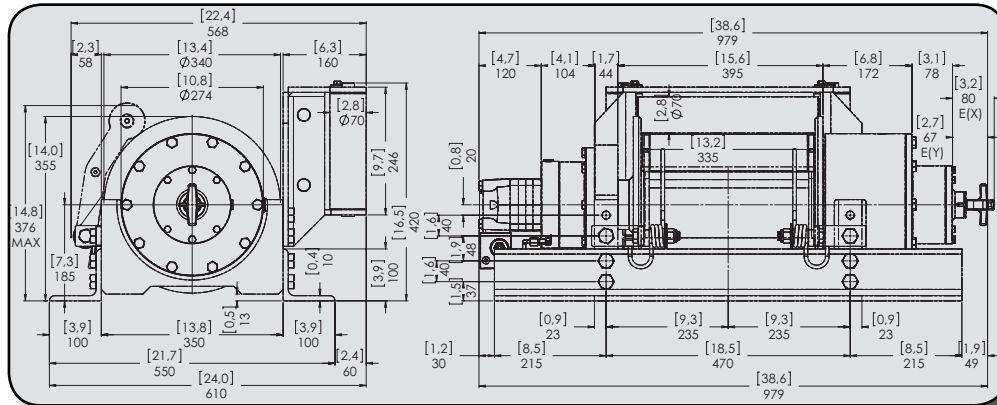
EPH winches are equipped with Air clutch shifter. An air cylinder allows to pneumatically disengage the spooling drum from the gear train, enabling the drum to rotate freely (freespooling).

The pneumatic system works if air system is available on vehicle only. Manual clutch shifter is considered such an optional accessory.

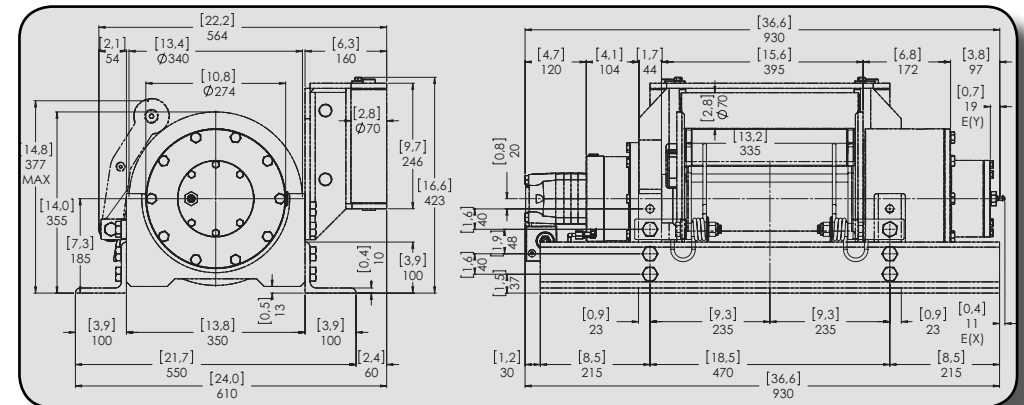


CE
EN 14492-1

DIMENSIONAL DATA



DIMENSIONAL DATA



TECHNICAL DATA

** Max wire rope capacity corresponding to the full drum condition.

LINE PULL		GEAR RATIO	WORKING PRESSURE		LINE SPEED		WIRE ROPE SIZE		WIRE ROPE CAPACITY		MAX. WIRE ROPE CAPACITY EN 14492-1		MAX. WIRE ROPE CAPACITY **		DESCRIPTION	WEIGHT
LBS	KGS		PSI	BAR	FT/MIN	MT/MIN	INCH	MM	FT	MT	FT	MT	FT	MT		
22,046	10,000	22,1:1	2,756	190	34,1	10,4	-	14	219,8	67	298,6	91	449,5	137	WINCH (without wire rope)	418,88 lbs / 190 kgs
-	-	-	-	-	-	-	-	-	-	-	-	-	-	-	ACCESSORY : ROLLER FAIRLEAD	73,85 lbs / 33,5 kgs
-	-	-	-	-	-	-	-	-	-	-	-	-	-	-	ACCESSORY : CABLE TENSIONER	20,94 lbs / 9,5 kgs

Hydraulic Motor.....(9,8 cu in)...160 cc
 Max. oil flow.....(19,81 GPM)...75 Lt./Min.
 Air clutch working pressure.....Min...(87 Psi)...6 Bar.....Max...(145 Psi)...10 Bar

NOTE: Wire rope size must be respected. Recommended wire rope min.tensile strength 2160 N/mm².
 Wire rope minimum breaking load must be at least double of winch max. pulling capacity.
 Max.wire rope capacity according with EN 14492-1.

WARNING
 Do not use winch to lift support or transport personnel.

NOTE: Specifications are subject to change without notification and without incurring obligation.
 Specifications in this publication are theoretical and may vary depending on hydraulic system, environment, etc.

3 HYDRAULIC PLANETARY GEAR WINCHES



EPH
12200

MANUAL CLUTCH VERSION

On request at the order, EPH winches can be equipped with manual clutch shifter.

Clutch allows the operator to manually disengage the spooling drum from the gear train, enabling the drum to rotate freely (freespooling). Engaging the clutch, it locks the winch drum back onto the gear train.



CE
EN 14492-1

EPH
12200

AIR CLUTCH VERSION

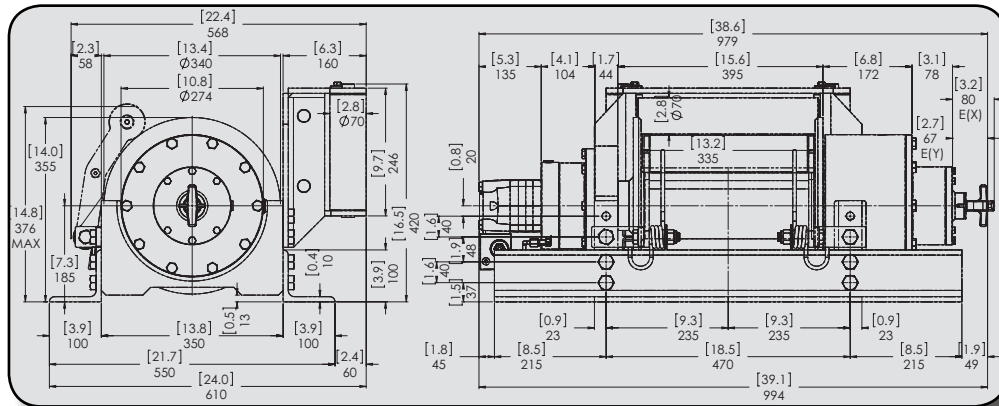
EPH winches are equipped with Air clutch shifter. An air cylinder allows to pneumatically disengage the spooling drum from the gear train, enabling the drum to rotate freely (freespooling).

The pneumatic system works if air system is available on vehicle only. Manual clutch shifter is considered such an optional accessory.

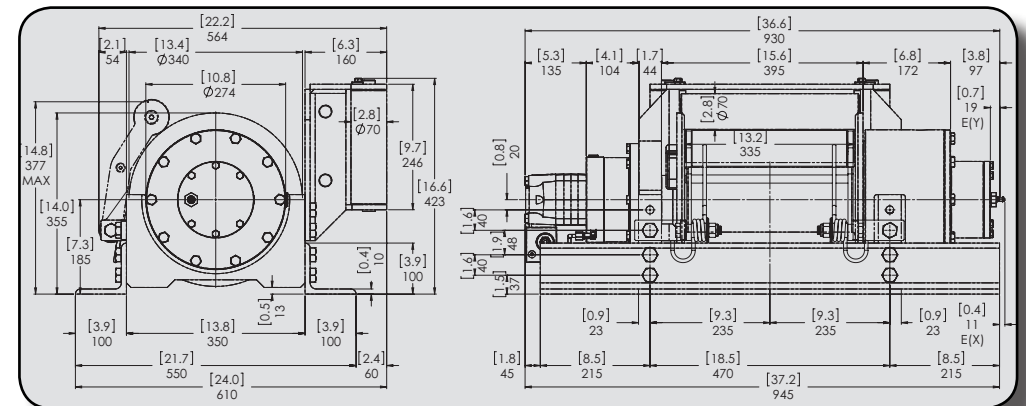


CE
EN 14492-1

DIMENSIONAL DATA



DIMENSIONAL DATA



TECHNICAL DATA

** Max wire rope capacity corresponding to the full drum condition.

LINE PULL		GEAR RATIO	WORKING PRESSURE		LINE SPEED		WIRE ROPE SIZE			WIRE ROPE CAPACITY		MAX. WIRE ROPE CAPACITY EN 14492-1		MAX. WIRE ROPE CAPACITY **		DESCRIPTION	WEIGHT
1st LAYER	1st LAYER		PSI	BAR	FT/MIN	MT/MIN	INCH	MM	FT	MT	FT	MT	FT	MT			
LBS	KGS																
26,896	12,200	16,7:1	2,756	190	26,9	8,2	-	16	154,2	47	229,7	70	295,3	90		WINCH (without wire rope)	429,90 lbs / 195 kgs
-	-	-	-	-	-	-	-	-	-	-	-	-	-	-		ACCESSORY : ROLLER FAIRLEAD	73,85 lbs / 33,5 kgs
-	-	-	-	-	-	-	-	-	-	-	-	-	-	-		ACCESSORY : CABLE TENSIONER	20,94 lbs / 9,5 kgs

Hydraulic Motor.....(15,3 cu in)...250 cc
 Max. oil flow.....(19,81 GPM)...75 Lt./Min.
 Air clutch working pressure.....Min...(87 Psi)...6 Bar.....Max...(145 Psi)...10 Bar

NOTE: Wire rope size must be respected. Recommended wire rope min.tensile strength 2160 N/mm².
 Wire rope minimum breaking load must be at least double of winch max. pulling capacity.
 Max.wire rope capacity according with EN 14492-1.

WARNING
 Do not use winch to lift support or transport personnel.

NOTE: Specifications are subject to change without notification and without incurring obligation.
 Specifications in this publication are theoretical and may vary depending on hydraulic system, environment, etc.